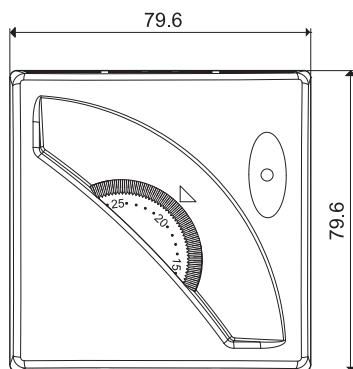
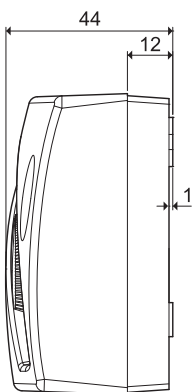


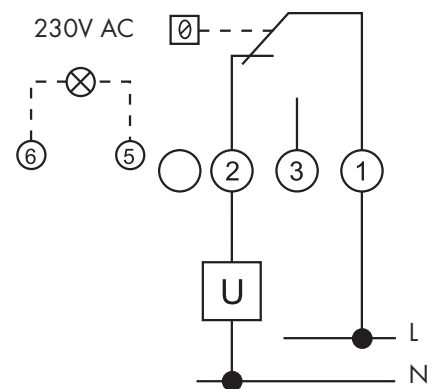
- Temperature regulate (+7...+30)°C
- Light of signalling operation system



Code	Colour
1T.01.0	Beige



Dimensions



Electric diagram

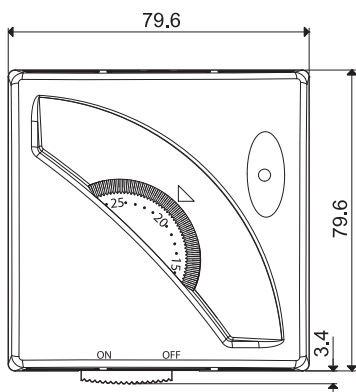
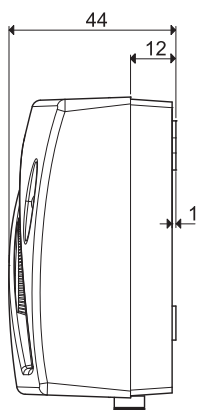
Technical feature	
Supply	—
Contact configuration	1 CO
Rated power	10 A 250 V AC
Regulation field	(+7...+30)°C
Differential gear	$\Delta t \leq 1 \text{ k}$
Thermal gradient	1 k/15 min
Regulation filed block	Mechanical block
Protection category	IP 20

- Switch ON/OFF
- Temperature regulate (+7...+30)°C
- Light of signalling operation system

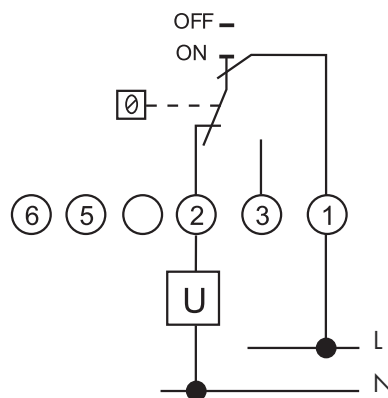


Code
1T.01.1

Colour
Beige



Dimensions



Electric diagram

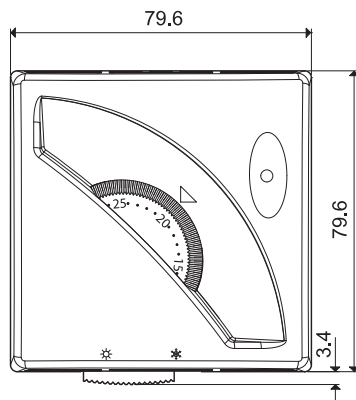
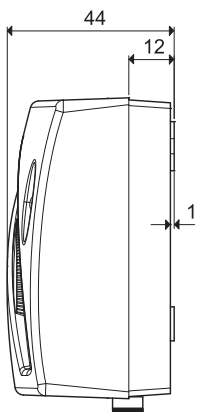
Technical feature

Supply	—
Contact configuration	1 CO
Rated power	10 A 250 V AC
Regulation field	(+7...+30)°C
Differential gear	$\Delta t \leq 1$ k
Thermal gradient	1 k/15 min
Regulation filed block	Mechanical block
Protection category	IP 20

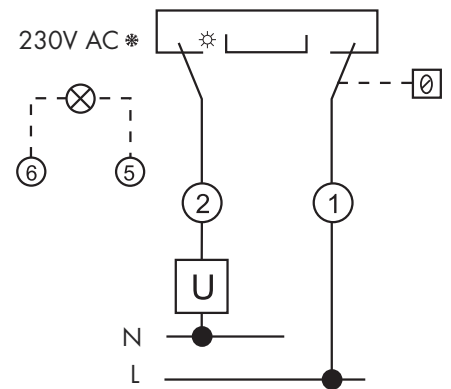
- Switch SUMMER/WINTER
- Temperature regulate (+7...+30)°C
- Light of signalling operation system



Code 1T.01.2	Colour Beige
------------------------	------------------------



Dimensions



Electric diagram

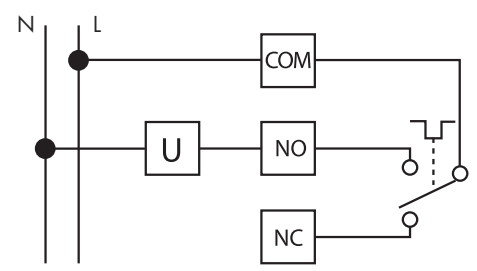
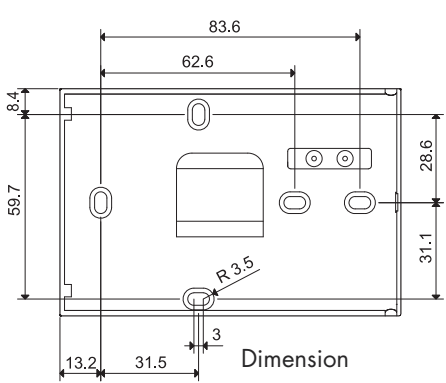
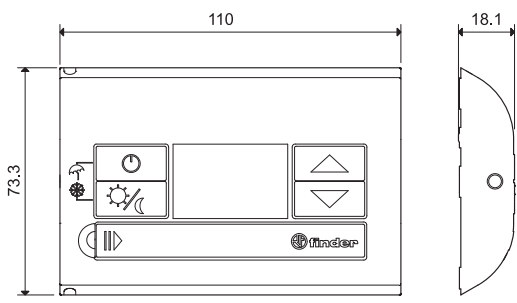
Technical feature

Supply	—
Contact configuration	1 CO
Rated power	10 A 250 V AC
Regulation field	(+7...+30)°C
Differential gear	$\Delta t \leq 1 \text{ k}$
Thermal gradient	1 k/15 min
Regulation filed block	Mechanical block
Protection category	IP 20

- For wall mounting
- Independently set temperatures for Day and Night
- Temperature range (+5...+37)°C
- Supply voltage: 3VDC (2 batteries 1.5VDC AAA)
- Functions: OFF (with Frost protection)/ Summer/Winter
- Frost protection range (+2...+8)°C
- 1 change over 5A 230V AC output
- On/Off hysteresis selectable, 0.2K or 0.5K



Code	Colour
1T.31.9.003.0000	White
1T.31.9.003.2000	Black
1T.31.9.003.0100	Cream
1T.31.9.003.0200	White, pearl effect
1T.31.9.003.1100	Metallic Grey
1T.31.9.003.1200	Metallic Blue
1T.31.9.003.2100	Metallic Anthracite
1T.31.9.003.2200	Metallic Titanium



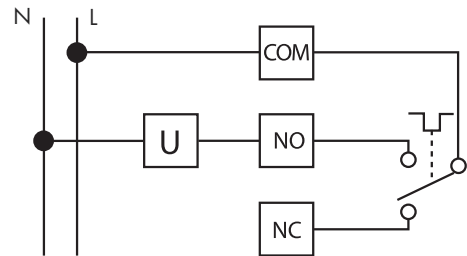
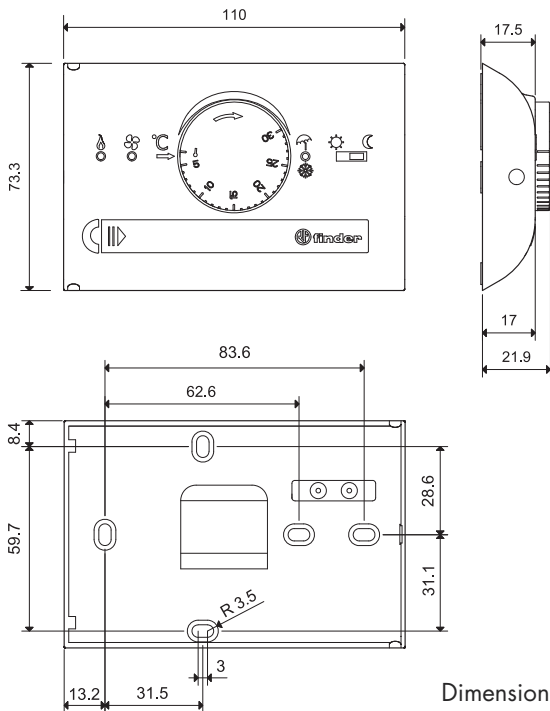
Wiring diagram

Technical data	
Supply voltage	3V DC (2 batteries 1.5VDC AAA)
Contact configuration	1 CO
Rated current	5 A 230 V AC
Temperature Setting Range	(+5...+37)°C
On/Off hysteresis	(0.2 - 0.5)K
Protection category	IP20

- For wall mounting
- Temperature regulation
 - Heating (+5...+30)°C
 - Cooling (+8...+30)°C
- Supply voltage: 3VDC (2 batteries 1.5VDC AAA)
- Functions: OFF (with Frost protection)/ Summer/Winter
- Programming: Day/Night (set-back by 3K)
- 1 change over 5A 230V AC output
- Temperature setting range can be restricted, by internal mechanical blocking



Code	Colour
1T.41.9.003.0000	White
1T.41.9.003.2000	Grey RAL 7016



Wiring diagram

Technical data	
Supply voltage	3V DC (2 batteries 1.5VDC AAA)
Contact configuration	1 CO
Rated current	5 A 230 V AC
Temperature Setting Range	(+5...+30)°C
On/Off hysteresis	0.3 °K
Setting resolution	0.5 °K
Protection category	IP20

LED indicators

Red LED with flame icon indicates Winter/Heating mode (change by push-button)

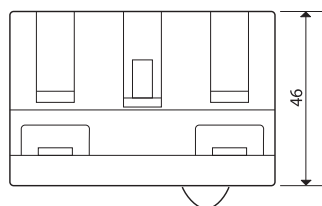
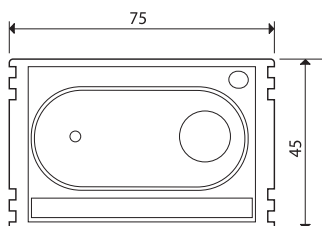
Blue LED with fan icon indicates the Summer/Cooling mode (change by push-button)

- Proceeds in box 3 modules (503)
- Temperature regulate +5...+30°C
- Led working plant
- Complete of armature for plate:
 - BTicino (series Living International)
 - Gewiss (series Playbus and Playbus Young)
 - Vimar (series Idea and Idea Rondò)

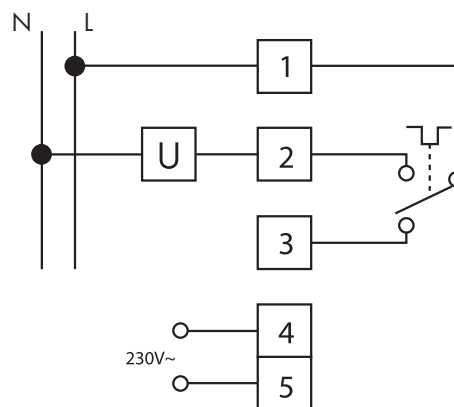


Code
1T.51.8.230

Colour
Grey RAL 7016



Dimensions



Electric diagram

Technical feature

Supply	230 V AC (+10% - 15%)
Contact configuration	1 CO
Rated power	5 A 250 V AC
Regulation field	(+5...+30)°C
Differential gear	$\Delta t = 0.2...0.4$ k
Thermal gradient	1 k/15 min
Regulation filed block	No
Protection category	IP 20