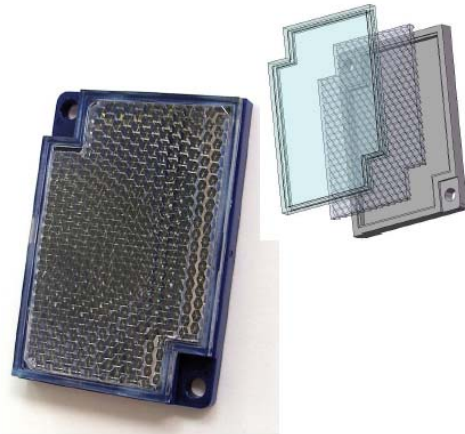


Chemical resistant reflectors

E39-R50 / E39-R51

Enclosed triple-Reflectors optimized for Food&Beverage industry

- Optimized material for cleaning requirements
- Enclosure rating IP67 / IP69K
- Temperature range: -40 / +70°C
- Certified by Ecolab

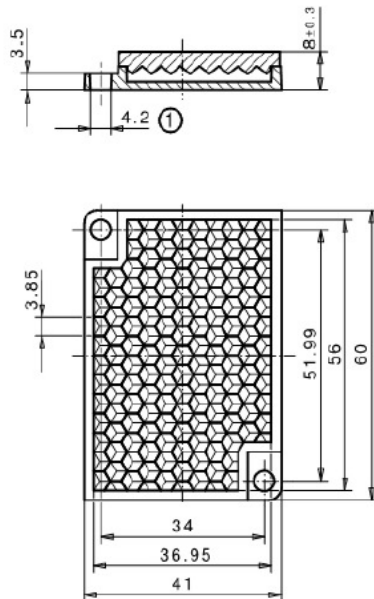


Ordering Information

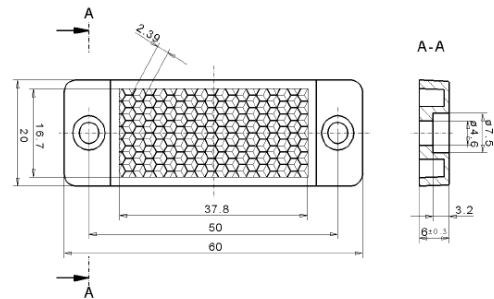
Size	Order code
40x60mm	E39-R50
20x40mm	E39-R51

Drawings

E39-R50:



E39-R51:



<SUITABILITY FOR USE>

OMRON shall not be responsible for conformity with any standards, codes, or regulations that apply to the combination of the products in the customer's application or use of the products. Take all necessary steps to determine the suitability of the product for the systems, machines, and equipment with which it will be used.

<CHANGE IN SPECIFICATIONS>

Product specifications and accessories may be changed at any time based on improvements and other reasons. Consult with your OMRON representative at any time to confirm actual specifications of purchased product.

OMRON EUROPE B.V. Wegalaan 67-69, NL-2132 JD, Hoofddorp, The Netherlands Tel: +31 (0) 23 568 13 00 Fax: +31 (0) 23 568 13 88
www.industrial.omron.eu